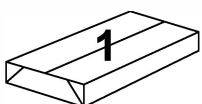
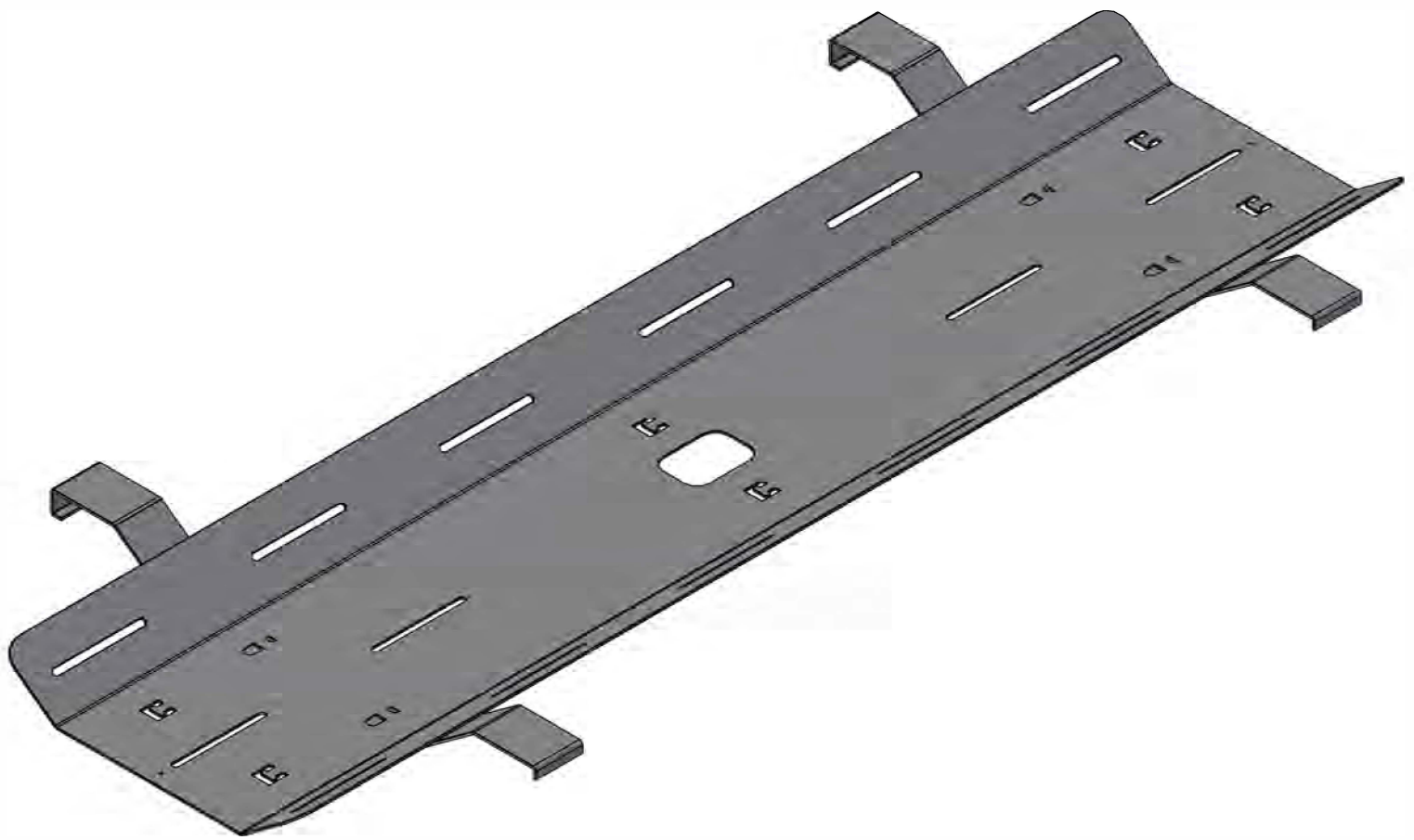


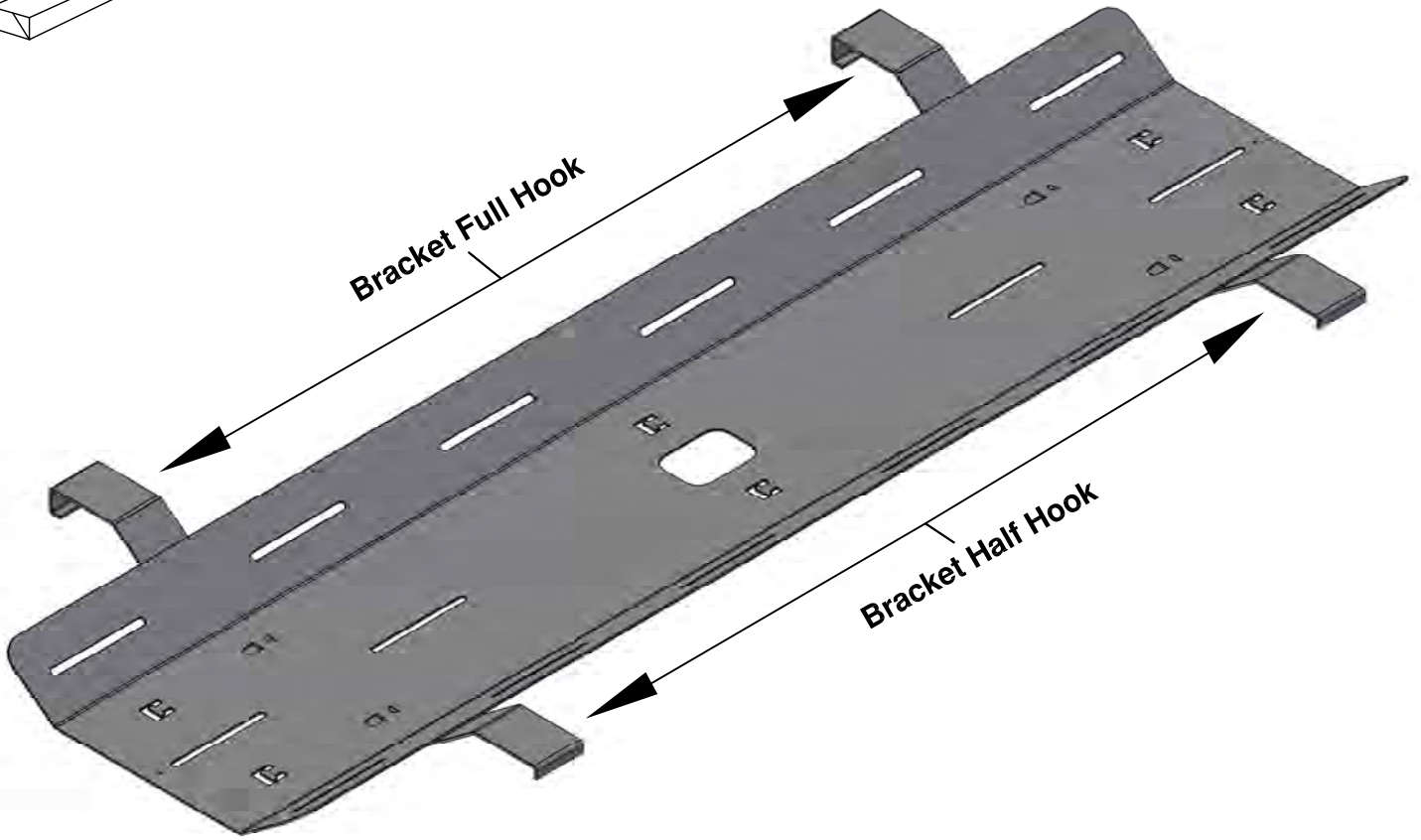
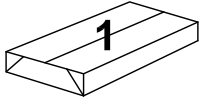


ED12DCT - ED14DCT - ED16DCT Adapt II Drop Down Cable Tray



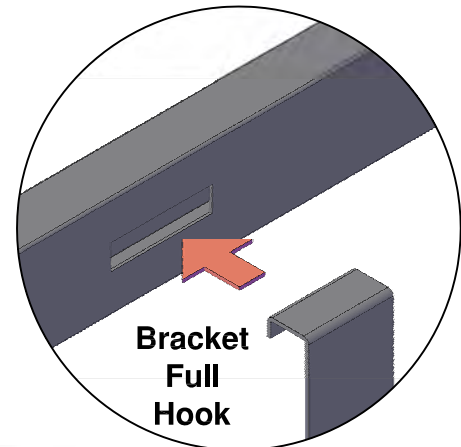


Please check that you have all the components!



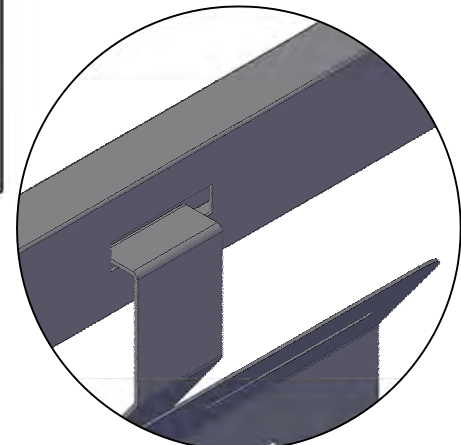
1

Step 1
Attach the drop down cable tray to the desk frame by positioning the brackets into the slots on the inside face of the beams.



Bracket Full Hook

Step 1a

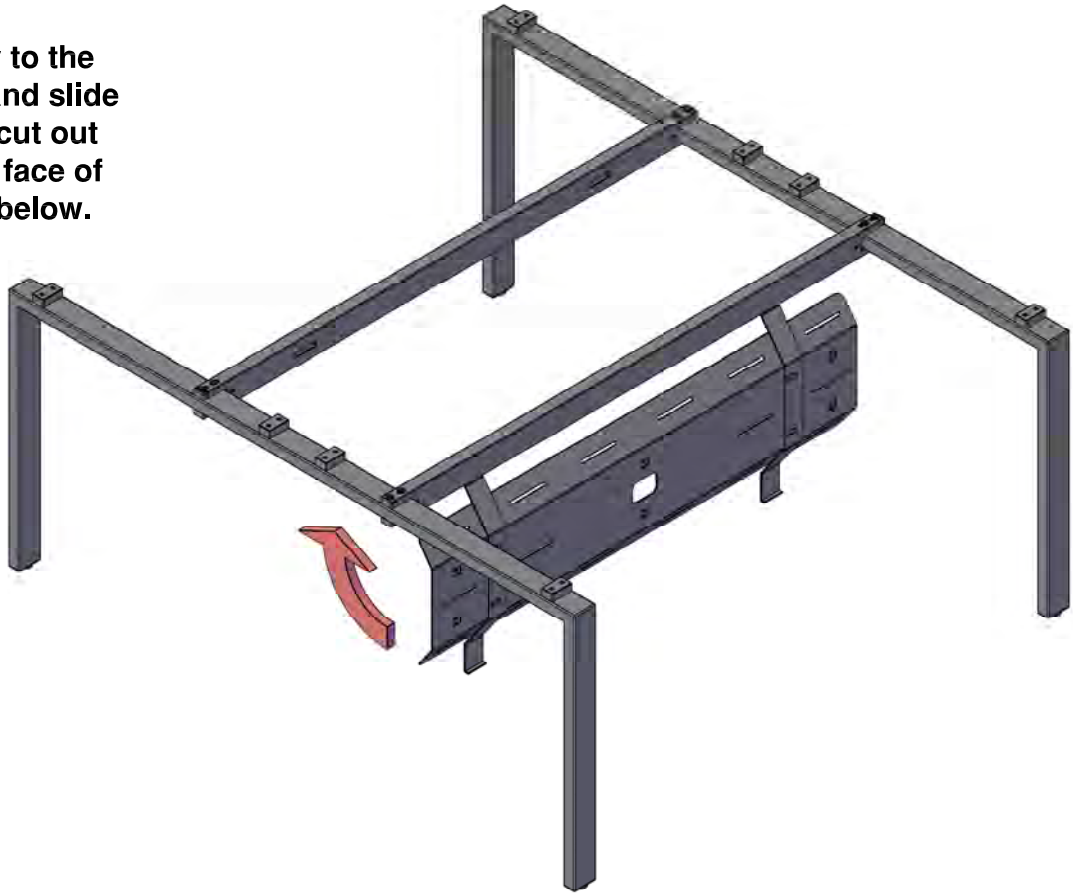


Step 1b

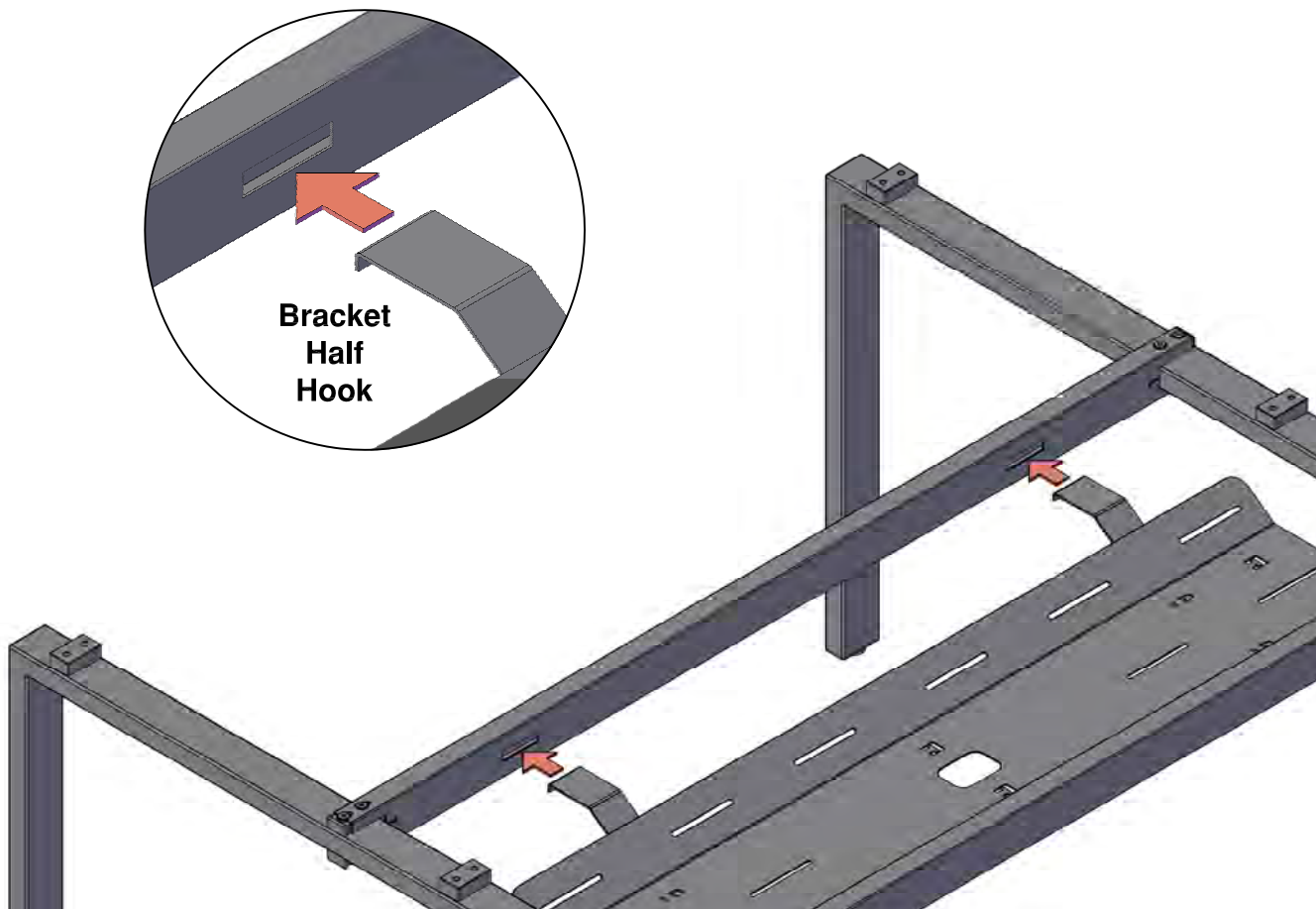
2

2

Step 2
Lift up the cable tray to the horizontal position and slide the bracket into the cut out slots on the internal face of the beam as shown below.



2a



Step 3

Your cable tray is now in position and is ready to be loaded up with cables. The slots and cut outs offer mounting points for cable ties to hold your cables in place, segregation can be achieved by mounting wires in different sections of the tray.

